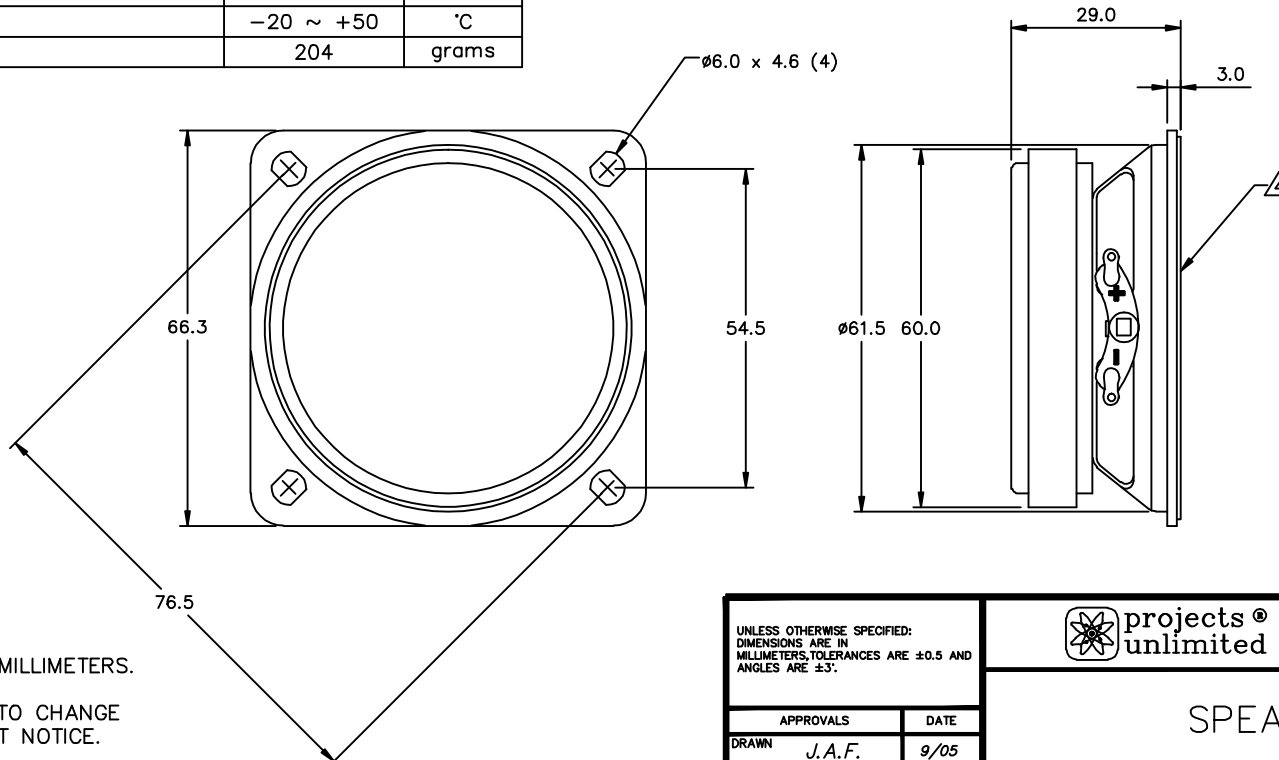


THIS DOCUMENT CONTAINS DATA PROPRIETARY TO PROJECTS UNLIMITED, INC. ANY USE OR REPRODUCTION, IN ANY FORM, WITHOUT PRIOR WRITTEN PERMISSION OF PROJECTS UNLIMITED, INC. IS PROHIBITED.
 ©2005, Projects Unlimited Inc.

SPECIFICATIONS

PARAMETERS	VALUES	UNITS
RATED INPUT POWER	4	W
MAX INPUT POWER	5	W
IMPEDANCE	8±15%	OHM
OUTPUT SPL @ 1W/0.5M (AT 1.0, 1.4, 1.7, 2.0 kHz)	95±3	dB
DISTORTION (MAX.)	5%	-
RESONANT FREQUENCY	230±20%	Hz
FREQUENCY RANGE	230 ~ 12,000	Hz
HOUSING MATERIAL	METAL	-
CONE MATERIAL	TREATED PAPER	-
MAGNET MATERIAL	FERRITE	-
OPERATING TEMPERATURE	-20 ~ +50	°C
WEIGHT	204	grams

REVISIONS			
LTR	DESCRIPTION	DATE	APPROVED
-	RELEASED FROM ENGINEERING	9/12/05	
A	REVISED RESONANT FREQ. TOLERANCE	3/16/07	R.W.



NOTES:

1. ALL DIMENSIONS ARE IN MILLIMETERS.
2. SPECIFICATION SUBJECT TO CHANGE OR WITHDRAWAL WITHOUT NOTICE.
3. THIS PART IS RoHS 2002/95/EC COMPLIANT.
4. CONE HAS BEEN TREATED FOR WATER RESISTANCE.

FILE NAME
AS06608PS-WR-R.DWG

UNLESS OTHERWISE SPECIFIED: DIMENSIONS ARE IN MILLIMETERS, TOLERANCES ARE ±0.5 AND ANGLES ARE ±3°.		projects® unlimited Dayton, Ohio									
<table border="1"> <thead> <tr> <th>APPROVALS</th> <th>DATE</th> </tr> </thead> <tbody> <tr> <td>DRAWN <i>J.A.F.</i></td> <td>9/05</td> </tr> <tr> <td>CHECKED <i>B.R.</i></td> <td>9/05</td> </tr> <tr> <td>APPROVED <i>E.P.</i></td> <td>9/05</td> </tr> </tbody> </table>		APPROVALS	DATE	DRAWN <i>J.A.F.</i>	9/05	CHECKED <i>B.R.</i>	9/05	APPROVED <i>E.P.</i>	9/05	SPEAKER	
APPROVALS	DATE										
DRAWN <i>J.A.F.</i>	9/05										
CHECKED <i>B.R.</i>	9/05										
APPROVED <i>E.P.</i>	9/05										
<table border="1"> <thead> <tr> <th>APPROVALS</th> <th>DATE</th> </tr> </thead> <tbody> <tr> <td>DRAWN <i>J.A.F.</i></td> <td>9/05</td> </tr> <tr> <td>CHECKED <i>B.R.</i></td> <td>9/05</td> </tr> <tr> <td>APPROVED <i>E.P.</i></td> <td>9/05</td> </tr> </tbody> </table>		APPROVALS	DATE	DRAWN <i>J.A.F.</i>	9/05	CHECKED <i>B.R.</i>	9/05	APPROVED <i>E.P.</i>	9/05	SIZE A	DRAWING NO. AS06608PS-WR-R
APPROVALS	DATE										
DRAWN <i>J.A.F.</i>	9/05										
CHECKED <i>B.R.</i>	9/05										
APPROVED <i>E.P.</i>	9/05										
DO NOT SCALE DRAWING		SCALE: N.T.S.	SHEET 1 OF 1								